

DFP PIN ASSIGNMENT

PIN NO.	PIN NAME
1	GND
2	HPD
3	ML_Lane_0_P
4	CONFIG1
5	ML_Lane_0_N
6	CONFIG2
7	GND
8	GND
9	ML_Lane_1_P
10	ML_Lane_3_P
11	ML_Lane_1_N
12	ML_Lane_3_N
13	GND
14	GND
15	ML_Lane_2_P
16	AUX_CH_P
17	ML_Lane_2_N
18	AUX_CH_N
19	GND
20	DP_PWR

UFP PIN ASSIGNMENT

PIN NO.	PIN NAME
1	GND
2	HPD
3	ML_Lane_3_N
4	CONFIG1
5	ML_Lane_3_P
6	CONFIG2
7	GND
8	GND
9	ML_Lane_2_N
10	ML_Lane_0_N
11	ML_Lane_2_P
12	ML_Lane_0_P
13	GND
14	GND
15	ML_Lane_1_N
16	AUX_CH_P
17	ML_Lane_1_P
18	AUX_CH_N
19	GND
20	DP_PWR

MATERIALS

- HOUSING : LCP, BLACK.
- TERMINAL : C18400, T=0.15mm
PLATING: GOLD FLASH PLATING ON CONTACT AREA, TIN PLATED ON SOLDER TAILS, NICKEL UNDER PLATED OVERALL.
- SHELL : STAINLESS STEEL (T=0.30mm)
PLATING: TIN PLATED ON SOLDER FOOT.
- MID PLATE: STAINLESS STEEL (T=0.20mm).
- COVER: LCP, BLACK.

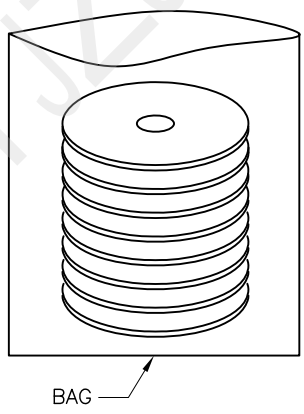
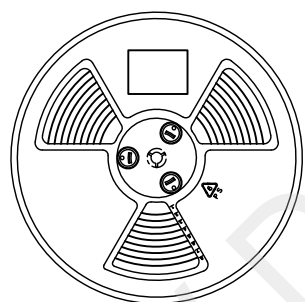
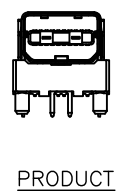
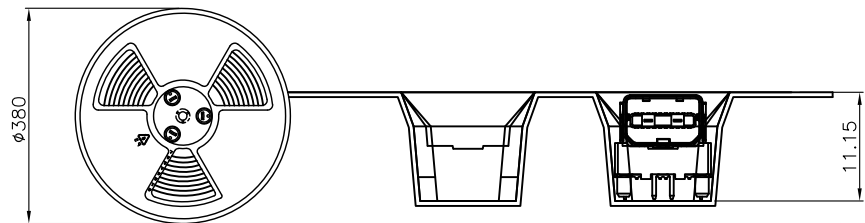
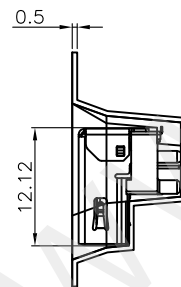
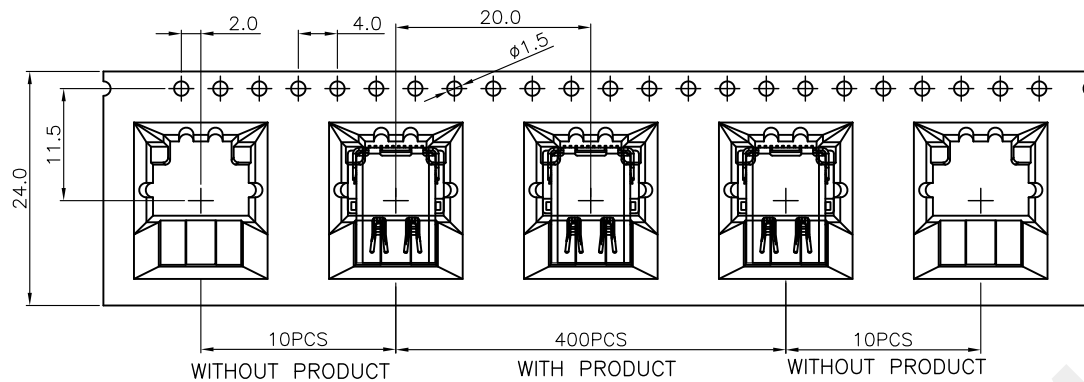
SPECIFICATION

- CURRENT RATING : 0.5A MAX
- CONTACT RESISTANCE : 30mΩ MAX.
- DIELECTRIC WITHSTANDING VOLTAGE : 500V AC R.M.S. FOR ONE MINUTE.
- INSULATION RESISTANCE : 100MΩ MIN AT 500V DC.
- OPERATING TEMPERATURE : -25°C TO +85°C.
- DURABILITY : 10000 CYCLES.
- MATING FORCE : 4.5Kgf MAX.
- UNMATING FORCE : 1.0Kgf~4.0Kgf.



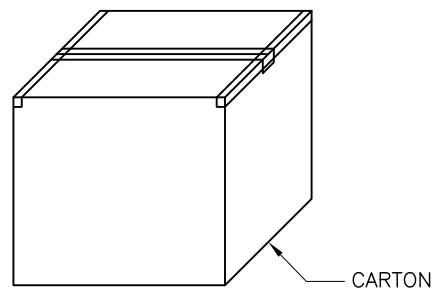
深圳市华宇创精密电子有限公司


TOLERANCE: X.X ±0.30 X.XX ±0.25 X.XXX ±0.15 X: ±2° X.X° ±0.5°	DRAWN BY : 陈一鸣	DATE : 2014-02-23	PART NAME: MINI DP 2.1 SMT式母座(中心高6.0)带中夹片
	CHECKED BY: 马跃	DATE : 2014-02-23	PART NO. : HVC28-MDP20-060
UNIT: mm [inch]	APPROVED BY: 邱敏	DATE : 2014-02-23	DRAW NO. : HVC-2603301127
SCALE:1:1 SIZE: A4			SHEET NO. : 1 OF 1



PACKAGE

1. SIZE :
 REEL : DIA.=380mm
 CORTON : 400x400x310mm (LxWxH)
2. QUANTITY :
 400 PCS/REEL
 10 REEL/CARTON = 4000PCS



 深圳市华宇创精密电子有限公司			
TOLERANCE: X.X ±0.30 X.XX ±0.25 X.XXX ±0.15 X.' ±2' X.X' ±0.5'	DRAWN BY : 陈一鸣	DATE : 2014-02-23	PART NAME: 包装图
	CHECKED BY: 马跃	DATE : 2014-02-23	PART NO.
UNIT: mm [inch] SCALE:1:1 SIZE: A4	APPROVED BY: 邱敏	DATE : 2014-02-23	DRAW NO:
			SHEET NO. 1 OF 1